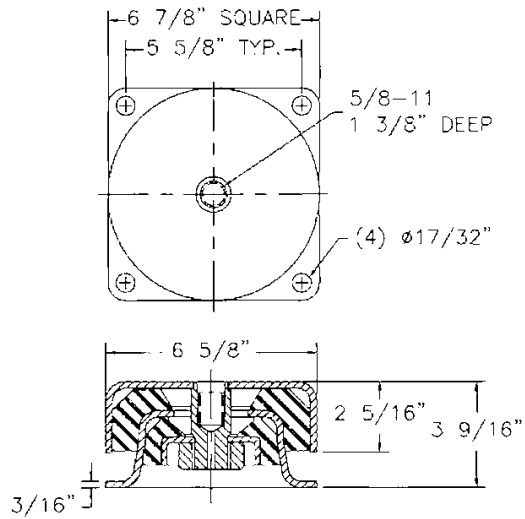


Size 4 Cupmounts (600 to 1800 lbs)

Drawing



Load Ratings

Standard Neoprene Part Number	Max. Stationary Load (lbs.)	Vehicular Load Range (lbs.) – High Shock apps.
52111	600	80-120
52112	800	120-185
52113	1400	185-285
52114	1800	285-530

Stiffness Curves

